

# Technical data sheet

## Product features



### Tilting bratt pan electric

<b>Model</b>	<b>SAP Code</b>	00008942
--------------	-----------------	----------



- Bottom material: Steel - suitable for frying
- Bottom thickness: 12.00
- Basin volume [l]: 50
- Usable volume [l]: 50
- Tilting: Manual
- Filling: Mechanical cock
- Type of pan: Tilting
- Basin shape: Practically shaped bathtub spout to minimize spillage
- Protection of controls: IP24

<b>SAP Code</b>	00008942	<b>Loading</b>	400 V / 3N - 50 Hz
<b>Net Width [mm]</b>	800	<b>Bottom material</b>	Steel - suitable for frying
<b>Net Depth [mm]</b>	730	<b>Basin volume [l]</b>	50
<b>Net Height [mm]</b>	900	<b>Usable volume [l]</b>	50
<b>Net Weight [kg]</b>	147.00	<b>Tilting</b>	Manual
<b>Power electric [kW]</b>	10.500		

# Technical data sheet

Technical drawing

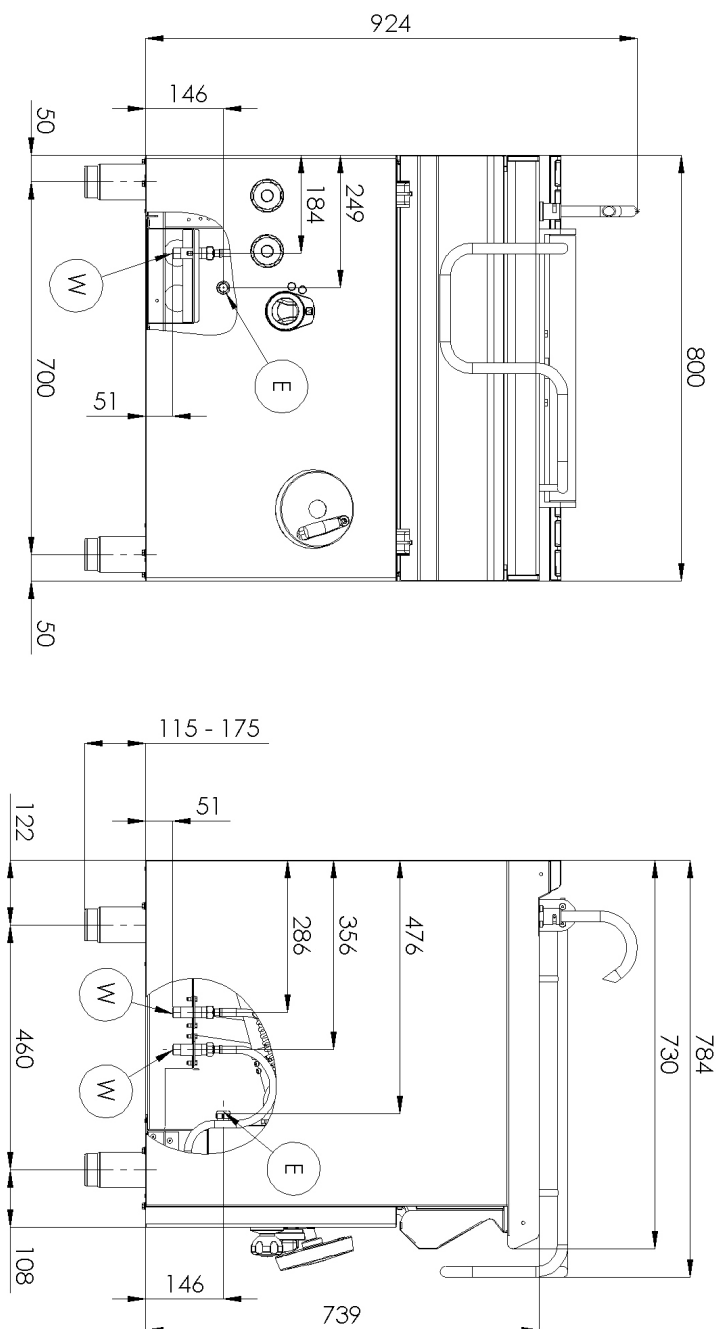


Tilting bratt pan electric

Model

SAP Code

00008942



# Technical data sheet

Technical parameters



## Tilting bratt pan electric

**Model**

**SAP Code**

00008942

**1. SAP Code:**

00008942

**2. Net Width [mm]:**

800

**3. Net Depth [mm]:**

730

**4. Net Height [mm]:**

900

**5. Net Weight [kg]:**

147.00

**6. Gross Width [mm]:**

840

**7. Gross depth [mm]:**

800

**8. Gross Height [mm]:**

1065

**9. Gross Weight [kg]:**

158.00

**10. Device type:**

Electric unit

**11. Construction type of device:**

Stationary

**12. Power electric [kW]:**

10.500

**13. Loading:**

400 V / 3N - 50 Hz

**14. Protection of controls:**

IP24

**15. Exterior color of the device:**

Stainless steel

**16. Material:**

AISI 304 top plate and cladding

**17. Indicators:**

operation and warm-up

**18. Worktop type:**

Molded - comfortable cleaning maintenance

**19. Worktop material:**

AISI 304

**20. Worktop Thickness [mm]:**

1.50

**21. Basin volume [l]:**

50

**22. Device capacity [l]:**

50.00

**23. Maximum device temperature [°C]:**

300

**24. Minimum device temperature [°C]:**

50

**25. Safety thermostat:**

Yes

**26. Safety thermostat up to x ° C:**

360

**27. Adjustable feet:**

Yes

**28. Tilting:**

Manual

# Technical data sheet

Technical parameters



## Tilting bratt pan electric

Model

SAP Code

00008942

### 29. Bottom thickness:

12.00

### 30. Bottom material:

Steel - suitable for frying

### 31. Type of pan:

Tilting

### 32. Usable volume [l]:

50

### 33. Filling:

Mechanical cock

### 34. Basin shape:

Practically shaped bathtub spout to minimize spillage

### 35. Overflow:

Yes

### 36. Water filling type:

Both cold and warm